



## TECHNICAL DATA SHEET



The plenum box allows to connect up to three 75 mm pipes to a 125 mm supply or exhaust air diffuser. Each unused connection must be covered with a 75 mm end plug (supplied by the manufacturer). The system components are made of extremely light yet durable plastic material ensuring reliable operation for years, without the risk of mechanical damage or corrosion. More importantly the construction material used (PP – polypropylene) is considered safe as it poses no health hazard and is 100% recyclable.

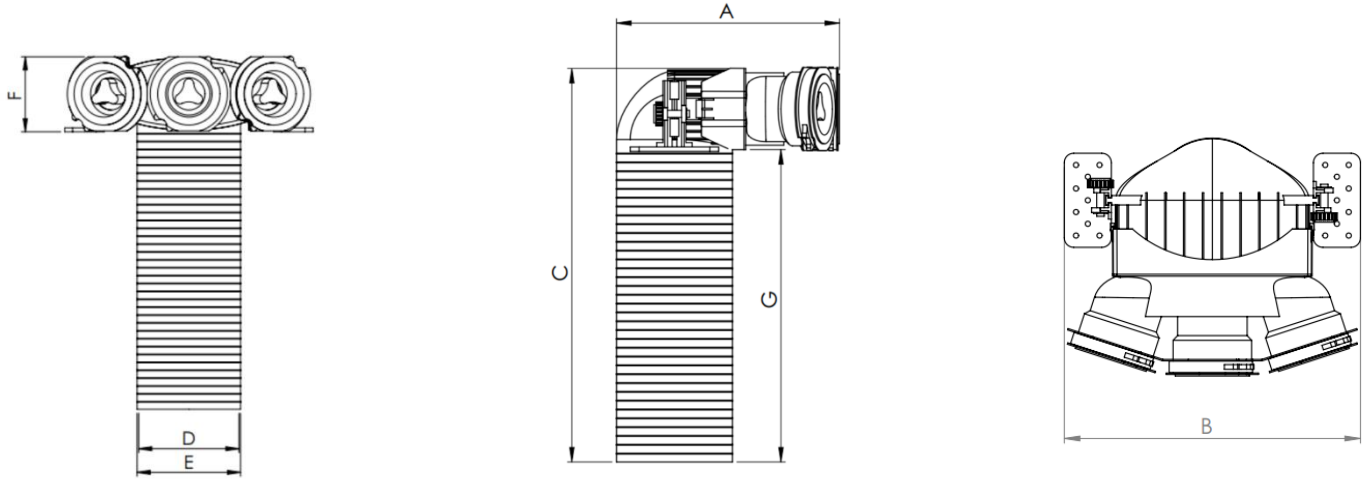
- ⊗ Installation on the main (structural) ceiling, or inside the plenum space if a dropped ceiling is used.
- ⊗ Adjustable fixing wings.
- ⊗ Ribbed surface to ease cutting the diffuser pipe.

### PLENUM BOX 3X75 HEATPEX ARIA





DIMENSIONS							MATERIAL	MASS	CATALOGUE NO.
Length A	Width B	Height C	ID D	OD E	Socket height F	125 pipe height G	PP	0,754 kg	523 375 001
248 mm	315 mm	447 mm	124,1 mm	128 mm	95 mm	349 mm			



## PLENUM BOX 3X75 HEATPEX ARIA

### Pressue Loss - Plenum box 3x75 HEATPEX ARIA

