



The side connector is used to connect the main supply air or exhaust air pipe to either side of the distribution box. It is designed to be fixed into the oval slot on either side of the distribution box replacing one 3x75 module. If a 125 mm diameter pipe is used, the unused part should be cut off.

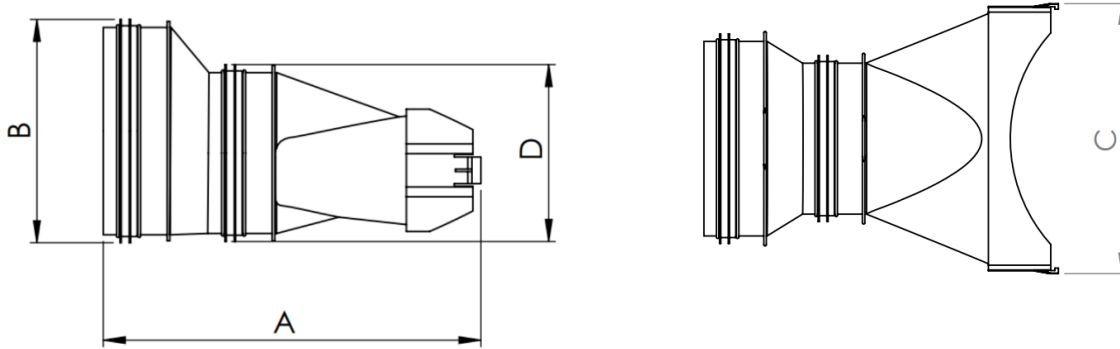
- ⦿ To be fixed into the oval slot on either side of the distribution box, in place of a 3x75 module
- ⦿ Designed for connection of 125 mm and 160 mm pipes
- ⦿ Standard ventilation diameters allows to connect typical round ducts and fittings

MAIN SIDE CONNECTOR 125/160 HEATPEX ARIA





| DIMENSIONS | | | | MATERIAL | MASS | CATALOGUE NO. |
|-------------|------------|---------------------------|---------------------------|----------|----------|---------------|
| Length A | Width C | Stub end diameter B | Stub end diameter D | PP | 0,259 kg | 524 110 001 |
| 284 mm | 216 mm | 160 mm | 125 mm | | | |



MAIN SIDE CONNECTOR 125/160 HEATPEX ARIA

*Pressure loss – check data for **Distribution Box 10X75** HEATPEX ARIA

