



The HEATPEX ARIA distribution box is connected to the HRV unit. It is responsible for the supply of fresh air to or the extraction of dirty air from different rooms in a building.

The system components are made of extremely light yet durable plastic material ensuring reliable operation for years, without the risk of mechanical damage or corrosion. More importantly the construction material used (PP – polypropylene) is considered safe as it poses no health hazard and is 100% recyclable.

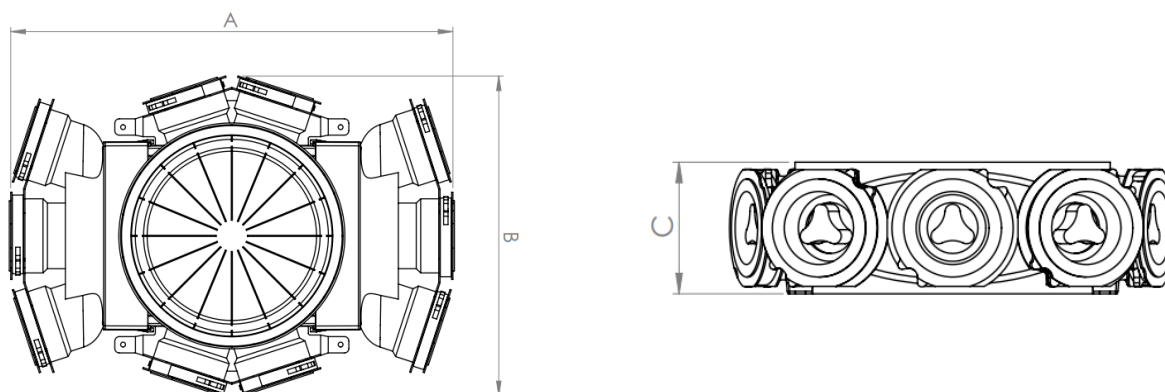
- ⊗ A modular structure allows to customise the box to the air flow requirements.
- ⊗ 10 pipe sockets in the standard configuration.
- ⊗ Designed to be used with the main or side central connector.
- ⊗ Can be extended by connecting additional distribution boxes using the horizontal or vertical couplings.

DISTRIBUTION BOX 10X75 HEATPEX ARIA





DIMENSION			SOCKETS	MATERIAL	MASS	CATALOGUE NO.
Length A	Width B	Height C	10	PP	1,47 kg	523 000 001
498 mm	360 mm	106 mm				



DISTRIBUTION BOX 10X75 HEATPEX ARIA

Pressure loss - Distribution box 10x75

